

# ATyS S - ATyS d S

Remotely operated Transfer Switching Equipment

from 40 to 125 A

## Enclosed solutions

### General characteristics



coff\_418\_a

#### ATyS S and ATyS d S

- Adapted to mechanical risk and dust hazard.
- Protection degree: IP3X (IP54 optional)
- Colour: RAL 7035, epoxy polyester powder.
- Wall mounting: 4 fixing lugs supplied loose.
- Connection of cables: top or bottom.
- Locking system: 3 mm double-bar Lock (key supplied)
- Power network 230/400 VAC +/-30%, 50/60 Hz.
- Two power supplies: 12 VDC and 2 x 230 VAC.
- Manual emergency operation handle provided with the enclosure.
- Bridging bars provided fitted on the product.

### References

Rating (A)	No. of poles	ATyS S 12 VDC	ATyS d S 2 x 230 VAC
40	4 P	3505 4004	3513 4004
63	4 P	3505 4006	3513 4006
80	4 P	3505 4008	3513 4008
100	4 P	3505 4010	3513 4010
125	4 P	3505 4012	3513 4012

### Accessories

#### Factory fitted

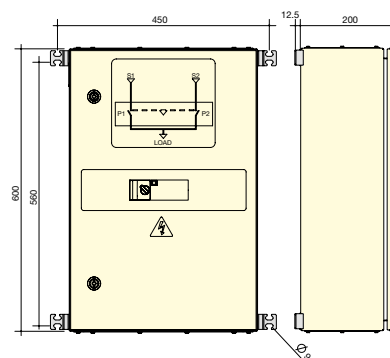
Description	Reference
LEDs indicating if voltage is present	9599 0005
LEDs for position indication	9599 0006
TESTS/AUTO modes selection (with C30 option)	9599 0007
Priority selection (with C30 option)	9599 0008
Surge arresters for enclosure (SURGYS D40)	9599 0010
Three-phase kit without neutral	9599 0012
Kit for auxiliary output (3Ph+N) 16A	9599 0016
Copper bar connection kit	9599 0019
IP54 kit	9599 0020
IPXXB protection screen (door open)	9599 0021
Battery charger	9599 0024
Kit for voltage sensing on terminals	9599 0028
Auxiliary kit for control on terminals	9599 0029
Kit for ATyS C30 control/command	9599 0030

#### Customer fit

Description	Reference
Copper bar connection kit	9599 0018
IP54 kit	9599 0020
IPXXB protection screen (door open)	9599 0021

### Dimensions

Rating (A)	Connection cross-section (mm <sup>2</sup> )	H (mm)	L (mm)	P (mm)	Weight (kg)
40	10	600	400	200	25
63	16	600	400	200	25
80	25	600	400	200	25
100	35	600	400	200	25
125	50	600	400	200	25



coff\_423\_a\_1\_cat