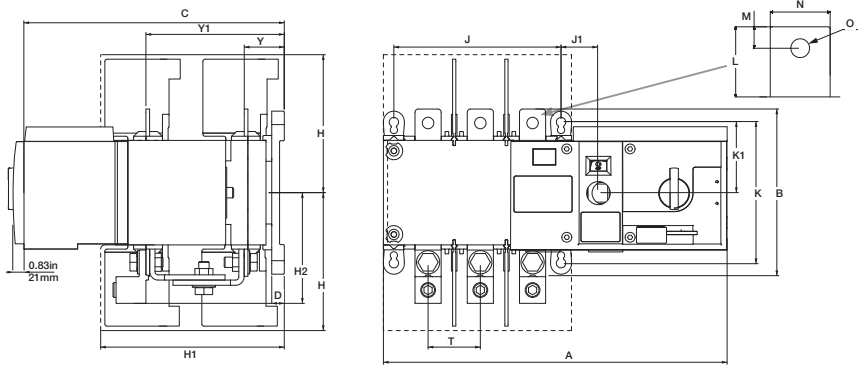


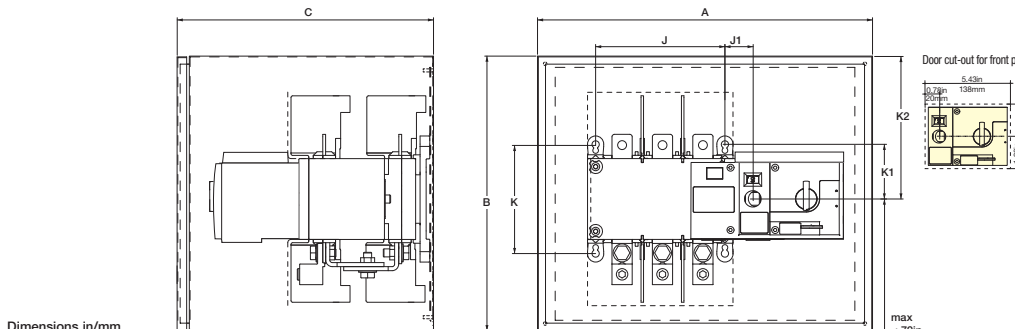


### STEP 1B



Dimensions in/mm

Ref. code	A	B	C	D	H	H1	H2	J	J1	K	K1	L	M	N	O	T	Y	Y1																					
	in	mm	in	mm	in	mm	in	mm	in	mm	in	mm	in	mm	in	mm	in	mm																					
1	2/3P	12.91	328	6.30	160	9.60	244	0.41	10.5	5.08	129	6.8	173	4.21	107	6.30	160	8.26	210	1.37	35	7.67	195	3.84	97.5	1.18	30	0.53	13.3	0.98	25	0.43	11	2	50	1.51	38.5	5.21	132.5
2	4P	14.88	378	10.23	260	12.62	320.5	0.41	10.5	8	200	9.7	247	6.53	166	8.26	210	10.63	270	1.37	35	7.67	195	3.84	97.5	1.96	50	0.49	20	1.38	45	0.51	13	2.6	65	2.04	52	7.48	190

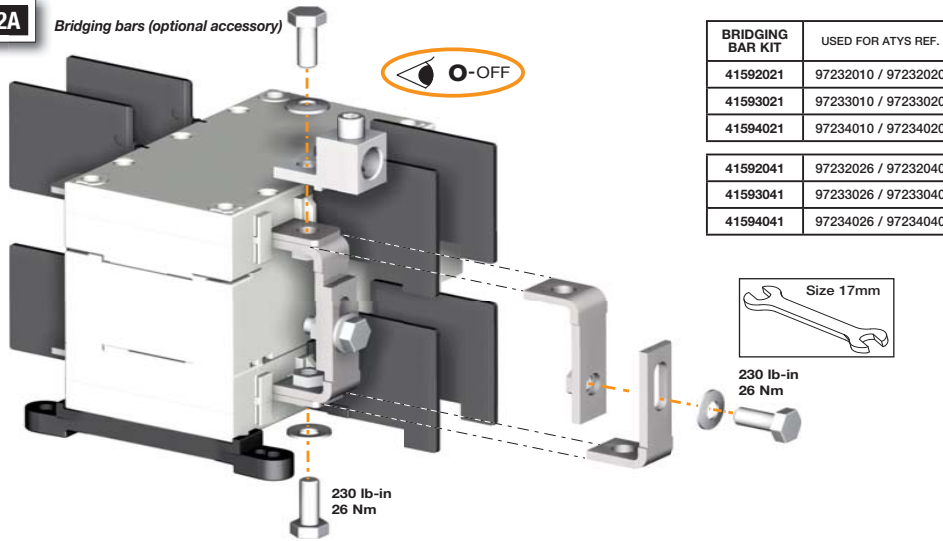


Dimensions in/mm

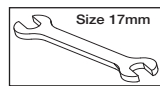
Ref. code	A	B	C	J	J1	K	K1	K2									
	in	mm	in	mm	in	mm	in	mm									
1	2/3P	24	610	24	610	12	305	6.30	160	1.37	35	5.31	135	2.67	68	12	305
2	4P	32	813	32	813	16	406	8.26	210	1.37	35	7.67	195	3.84	97.5	15	381

### STEP 2A

Bridging bars (optional accessory)



BRIDGING BAR KIT	USED FOR ATYS REF.
41592021	97232010 / 97232020
41593021	97233010 / 97233020
41594021	97234010 / 97234020
41592041	97232026 / 97232040
41593041	97233026 / 97233040
41594041	97234026 / 97234040



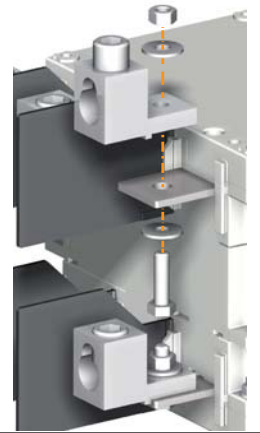
### STEP 2B

Power Terminal Connections (optional accessories)

To be connected using terminal lugs, rigid or flexible busbars.

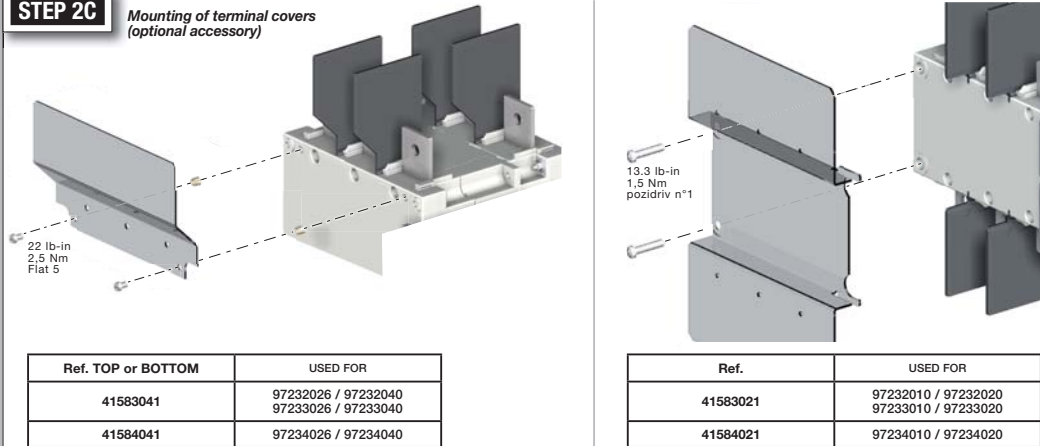
	FRAME B4						FRAME B5					
	100 A		200 A		260 A		260 A		400 A		400 A	
Ref ATyS	2P	3P	4P	2P	3P	4P	2P	3P	4P	2P	3P	4P
Ref lugs	97232010	97233010	97234010	97232020	97233020	97234020	97232026	97233026	97234026	97233040	97234040	97234040
Qty per reference	2	3	4	2	3	4	2	3	4	2	3	4
Qty to order	x3	x3	x3	x3	x3	x3	x3	x3	x3	x3	x3	x3
Designation	CMC LA300-R						CMC LA630-R					
Size (AWG) min.	# 6						# 4 1/0					
Size (AWG) max.	300 Kcmil						600 Kcmil - 250 Kcmil					
Opening per lug	1						2					
Size of screw	13						17					
Torque lb.in / mm	160 / 18						310 / 35					

When ordering ensure to order QTY 3 for each lug reference (Quantity 2 for incoming power cables and quantity 1 for outgoing cables)



### STEP 2C

Mounting of terminal covers (optional accessory)

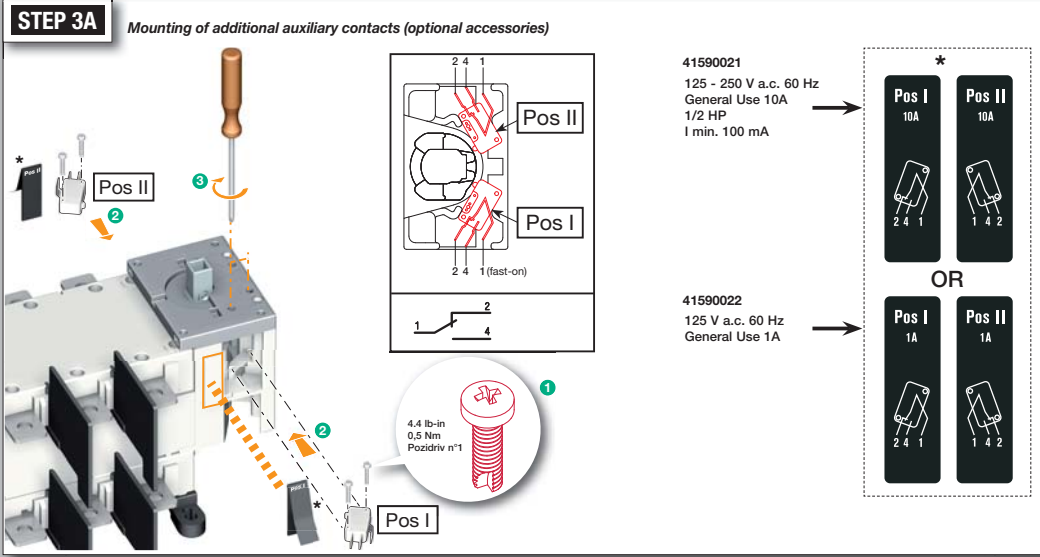


Ref. TOP or BOTTOM	USED FOR
41583041	97232026 / 97232040 97233026 / 97233040
41584041	97234026 / 97234040

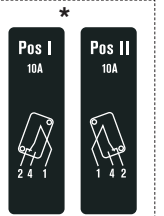
Ref.	USED FOR
41583021	97232010 / 97232020 97233010 / 97233020
41584021	97234010 / 97234020

### STEP 3A

Mounting of additional auxiliary contacts (optional accessories)



41590021  
125 - 250 V a.c. 60 Hz  
General Use 10A  
1/2 HP  
I min. 100 mA



41590022  
125 V a.c. 60 Hz  
General Use 1A

